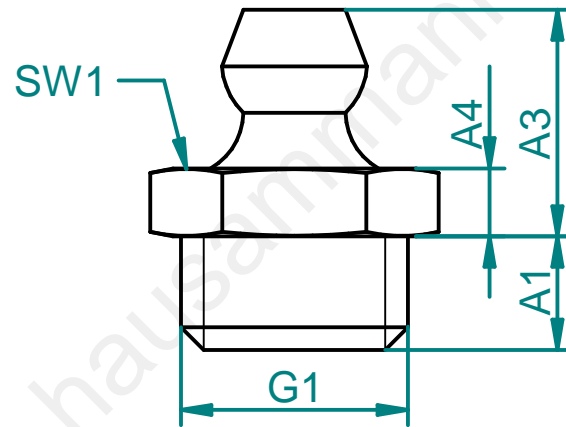


| General tolerances ISO 2768-m | | | | | | Index | Date | Visum | Modification | Index | Date | Visum | Modification |
|-------------------------------|------|--------------|----------------|----------------|------------------|-------|------|-------|--------------|-------|------|-------|--------------|
| Basic-size | ...6 | > 6 ...30 | > 30 ...120 | >120 ...400 | > 400 ...1000 | | | | | | | | |
| medium | ±0.1 | ±0.2 | ±0.3 | ±0.5 | ±0.8 | | | | | | | | |



| Specifications points D,K,H | |
|-----------------------------|--|
| D= doc.points | |
| K= critical | |
| H= main | |

| | | | | | | |
|---------------------------------------------------------------|-----------------------------------------------------------|--------------------------------------------------------------|--------------------|-----------------------------------------------------------------|-------|-------|
| Accord-draw.no.: Origin-draw.no.: Replacement for: | | | Material: | | | |
| | HAUSAMMANN KOMponenten PRODUKTION SYSTEME | | Edelstahl Rostfrei | | | |
| | 05.017 | | Scale | | | |
| | 3:1 | | plotted | Date | Visum | Phone |
| | | checked | 24.06.11 | E.Z | | |
| | | | | | | |
| | | Solid Edge | Format | Index | | |
| | | A4 | 00 | | | |
| © 2010, Für dieses Dokument behalten wir uns alle Rechte vor. | | © 2 010, Nous nous reservons tous les droits sur ce document | | © 2 010, We reserve all rights in connection with this document | | |